

PATTERN CATALOG GLASS ORDER FORM

Customer Name _____ Date _____

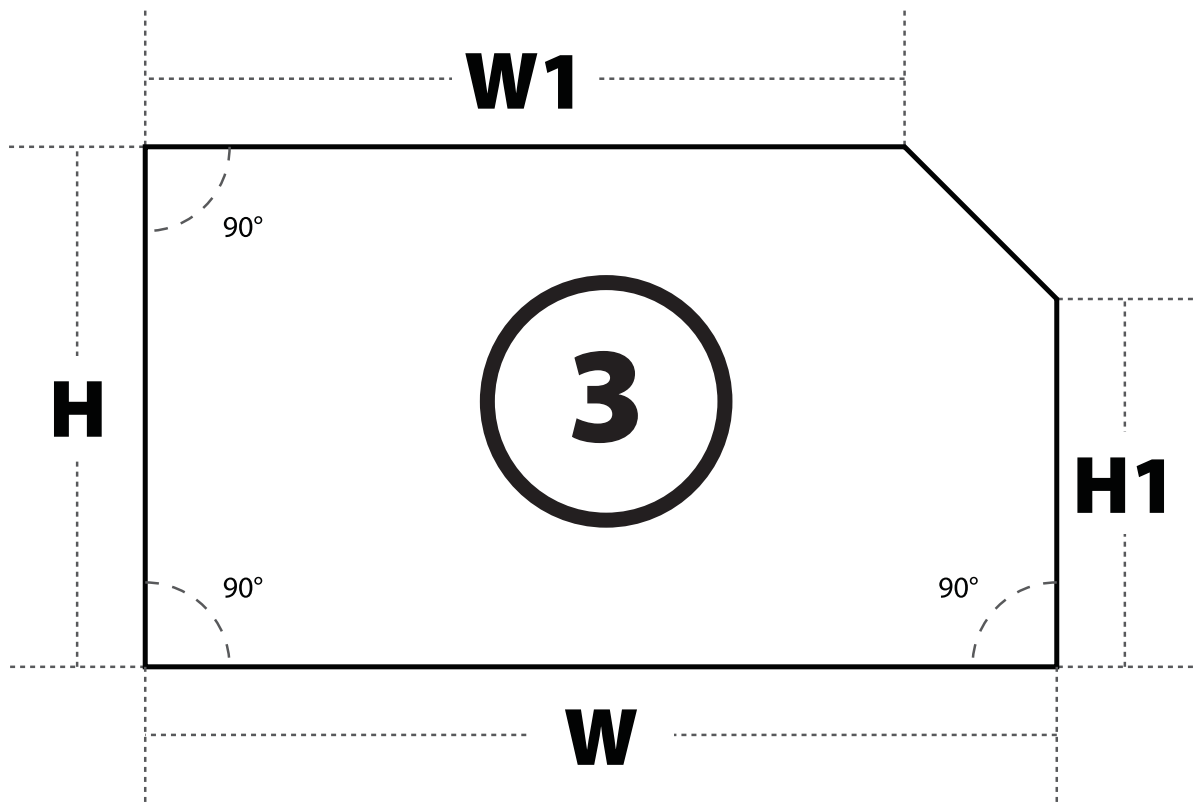
Job Name _____ P.O. # _____

shape **3**

H _____ W1 _____

H1 _____

W _____



www.craftsmanfab.com

ALL DRAWINGS ARE VIEWED FROM OUTSIDE OF OPENING

MONOLITHIC

INSULATED

LAMINATED

Annealed / Tempered / HS _____ Annealed / Tempered / HS _____ Annealed / Tempered / HS _____

Glass Type _____ Overall Unit Thickness _____ Overall Unit Thickness _____

Thickness _____ Glass Type _____ / _____ Glass Type _____ / _____

Quantity _____ Glass Thickness _____ / _____ Glass Thickness _____ / _____

Mark # _____ Spacer Color / Thickness _____ PVB Color _____

Edgework _____ Edgework _____ Thickness _____

Logo Y N

Logo Y N

Edgework _____